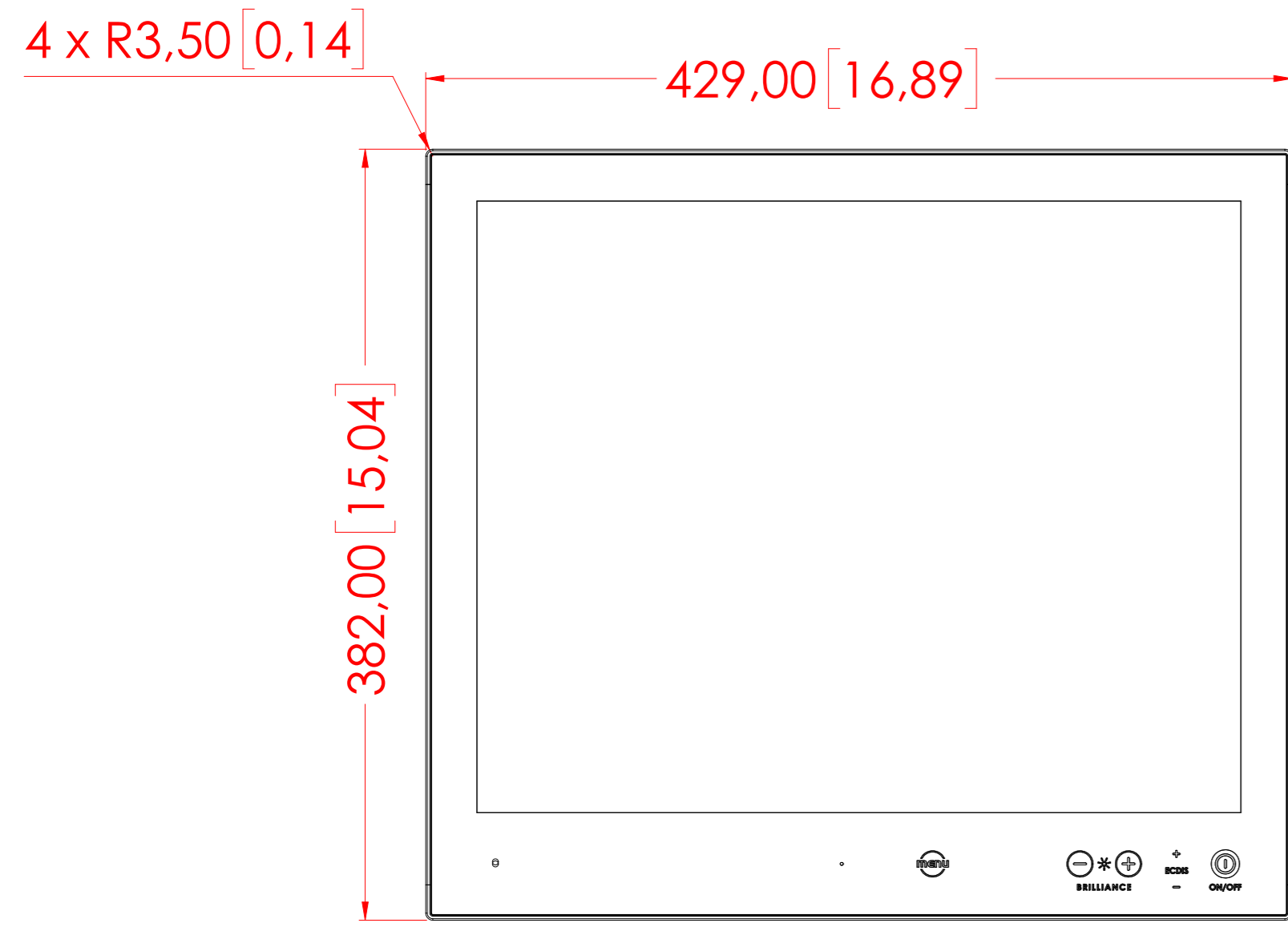
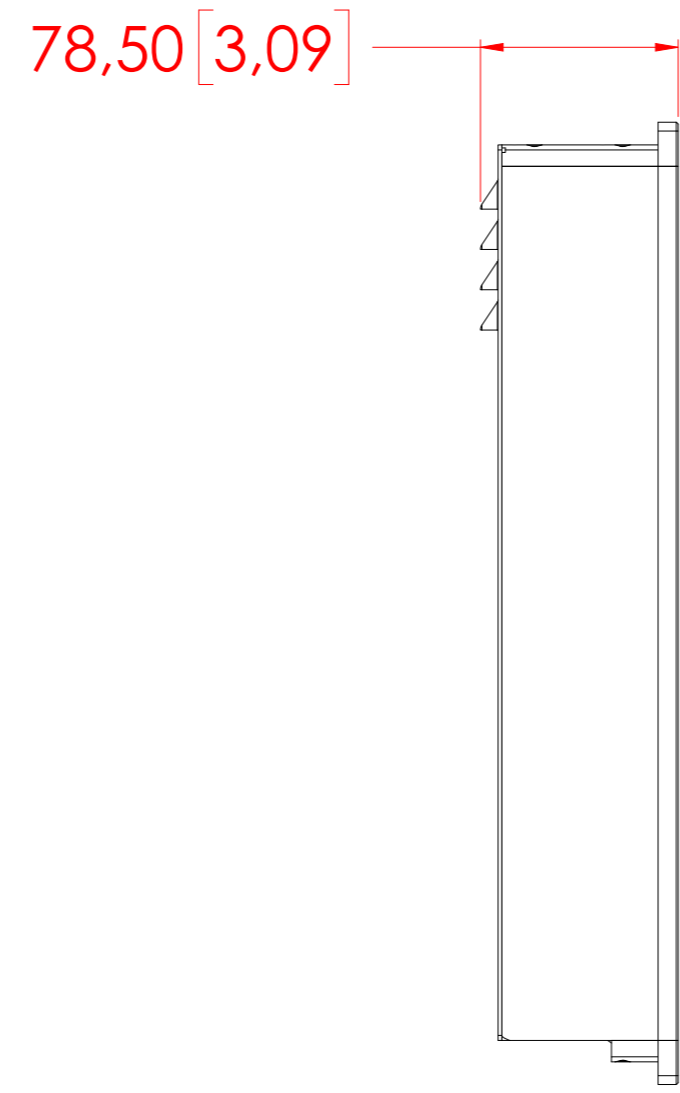


This document is the property of Hatteland Technology AS.
 This document and any authorized reproduction thereof, must not be used in
 any way against the interest of Hatteland Technology AS.
 Any authorized reproduction, in whole or in part, must include this legend.

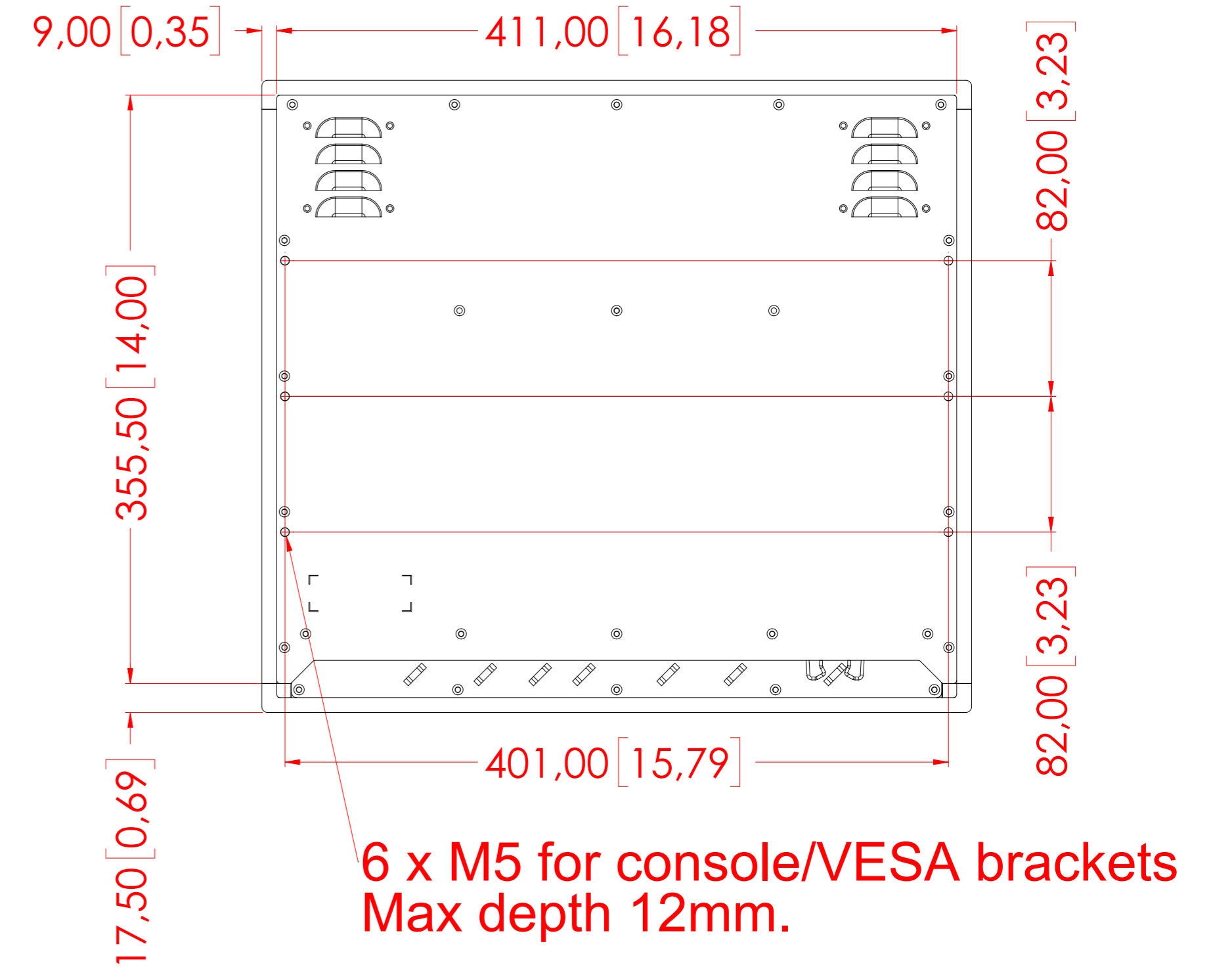
FRONT VIEW



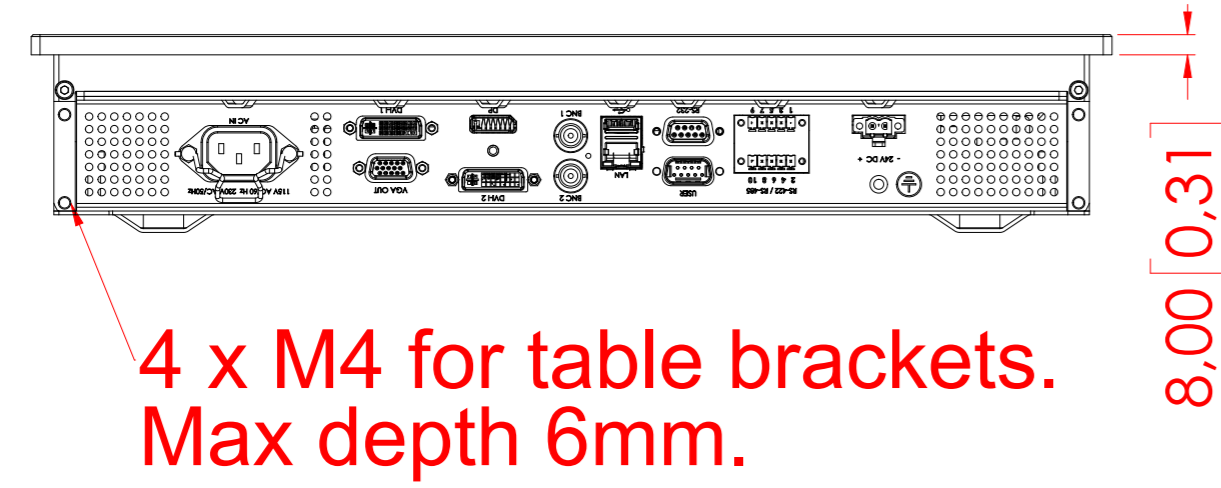
SIDE VIEW



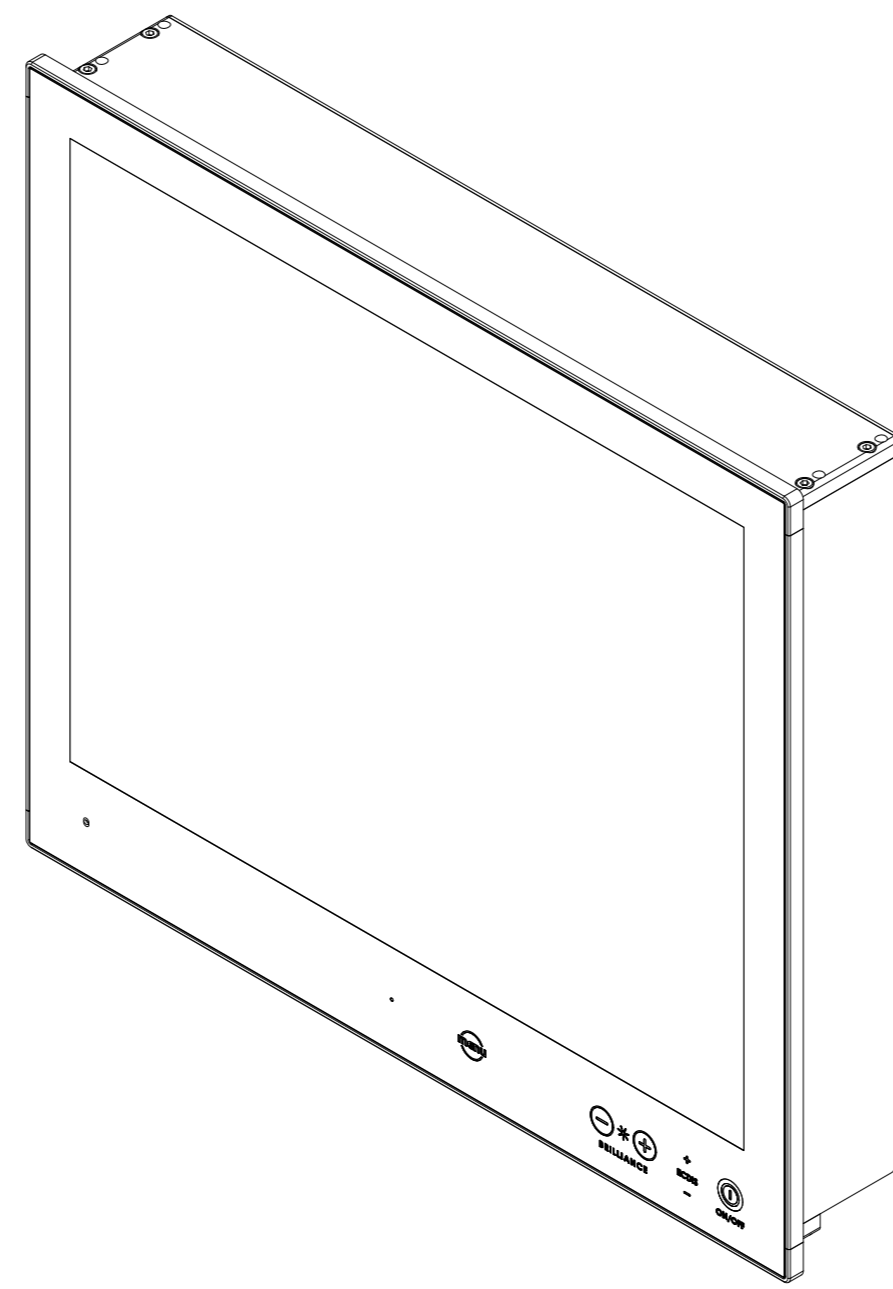
BACK VIEW



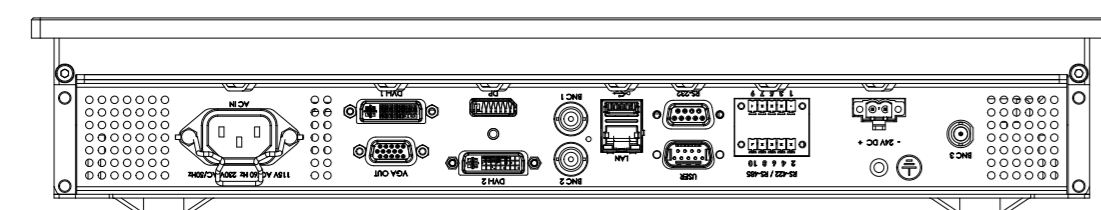
BOTTOM VIEW



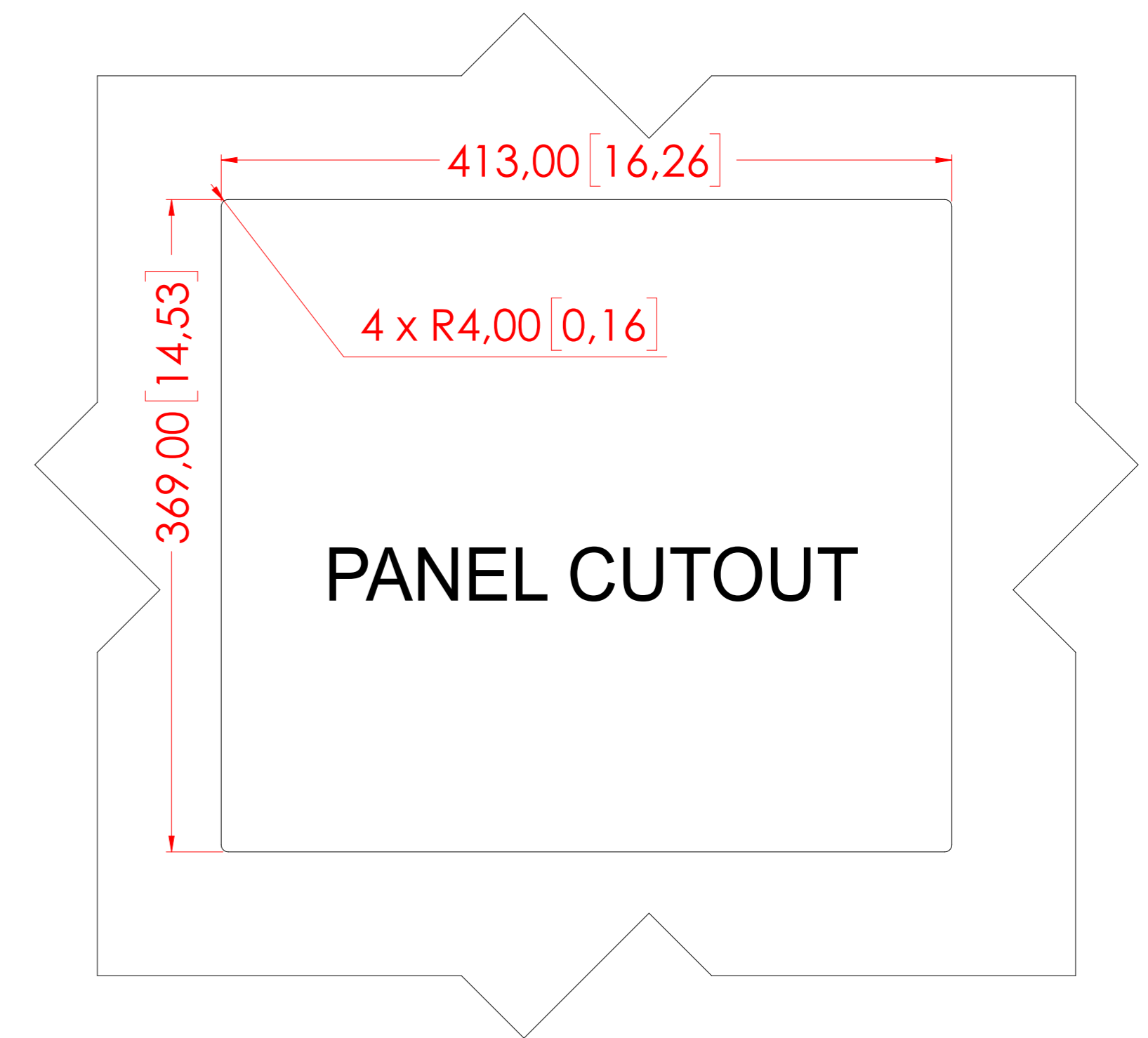
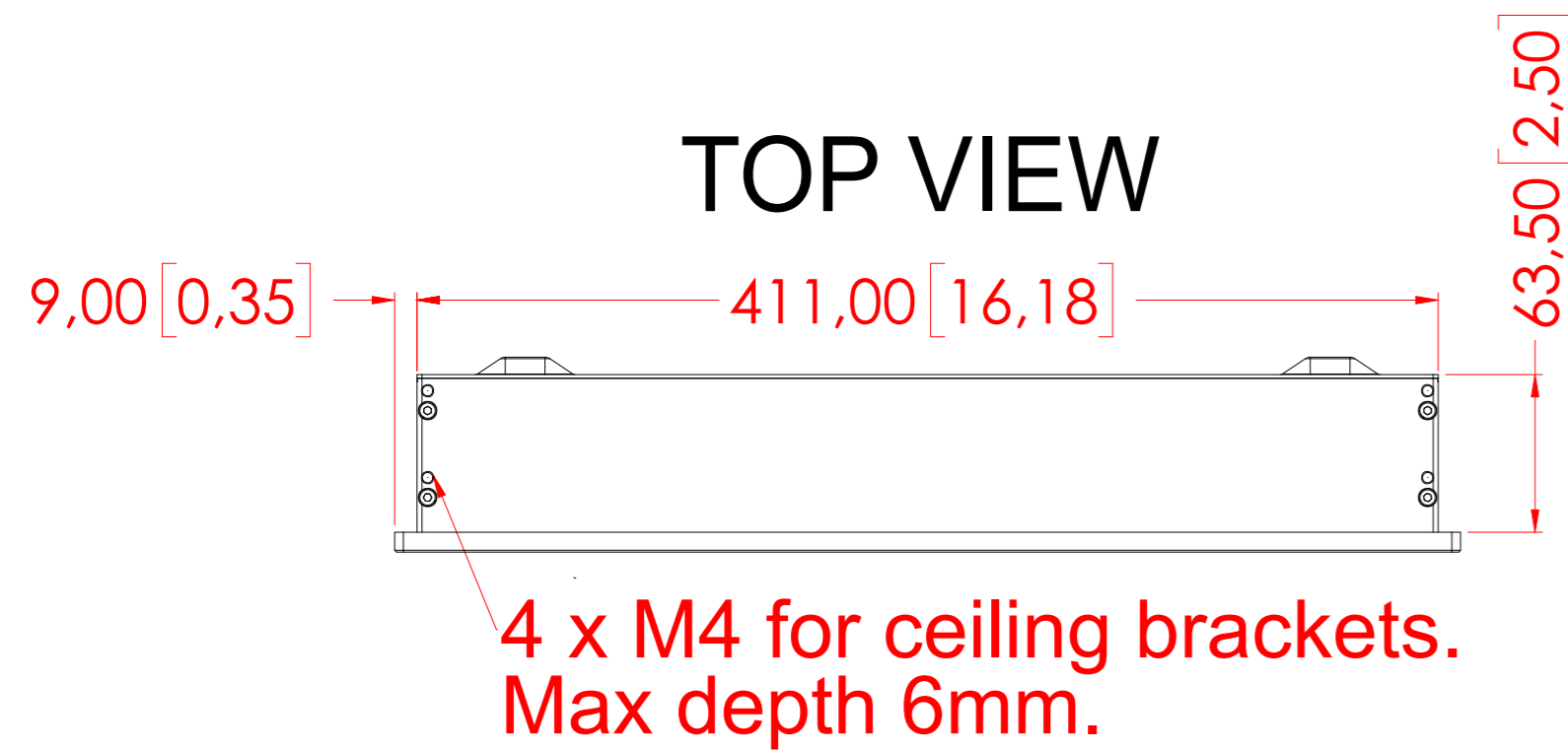
DIMETRIC VIEW



BOTTOM VIEW w/ 1 x Additional BNC



TOP VIEW



Units: mm [inches]

SALES DRAWING HD 19T22 MMD-MA1-FHGP

shown in this drawing, but measurements generally apply for all HD 19T22 MMD-xxx-xHxx High Bright models

Date:	Mechanical Designer:	Projection:	A1	HATTELAND TECHNOLOGY an EMBRON Company ®
22.06.16	7258		Scale: 1:3	
Hatteland Technology AS Eikeskogvegen 52 N-5570 Akksdal			Tolerance:	Approved by:
			ISO 2768-mK	Revision:
				Drawing number: A010049